

DATASHEET

Biohandle (QE/QM/TM/R)

Stainless steel handle with an integrated fingerprint reader (Modul) or keypad with a fingerprint reader (Bio-Touchpad). Available in many shapes and sizes with the fingerprint reader integrated in the front or in the back side of the handle.



Colors:

INOX

Brushed,
satin MATT

BLACK
RAL-9005-FS
Black, fine
structure

The product complies with the Electromagnetic Compatibility (EMC) Directive 2004/108/EC published in the Official Journal of the European Union L 390/24 on 31/12/2004.

The following harmonized standards are used:

EN61000-4-5:2016

EN61000-6-2:2016

EN61000-6-3:2007/A1 2011

EN55032:2012/AC:2013







Technical data Bio-Touchpad









Technical data Modul

Capacity	150 fingerprints, 50 codes	
Code length	5 digits	
Supply voltage	5 V (2 × AAA)	
Operating temperature range	-20 °C to +60 °C	
Fast fingerprint recognition	<1 s	
Maximum ambient humidity	up to 95 % IP54	
Capacitive sensor	BM LITE, 160 x 160 px	
Connection to the control unit	256-bit, encrypted	
User interface	3-colour LED, beeper, capacitive keys, App	
FAR	1:1,000,000	
FRR	1:100	
Maximum current (5 V)	2 mA	
Maximum power	0,1 W	
Standby power	Cable	0,003 W
	Battery	<0,001W
UV protection	✓	
Cable connection length	max 30 m	

Capacity	498 fingerprints
Supply voltage	5 V, DC
Operating temperature range	-20 °C to +60 °C
Fast fingerprint recognition	<0,8 s
Maximum ambient humidity	up to 95 % IP54
Capacitive sensor	FPC1011F3, 172 x 200 px
Connection to the control unit	256-bit, encrypted
User interface	3-colour LED, beeper, App
FAR	1:1,000,000
FRR	1:100
Maximum current (5 V)	100 mA
Maximum power	0,5 W
Standby power	0,279 W
UV protection	✓
Cable connection length	max 30 m

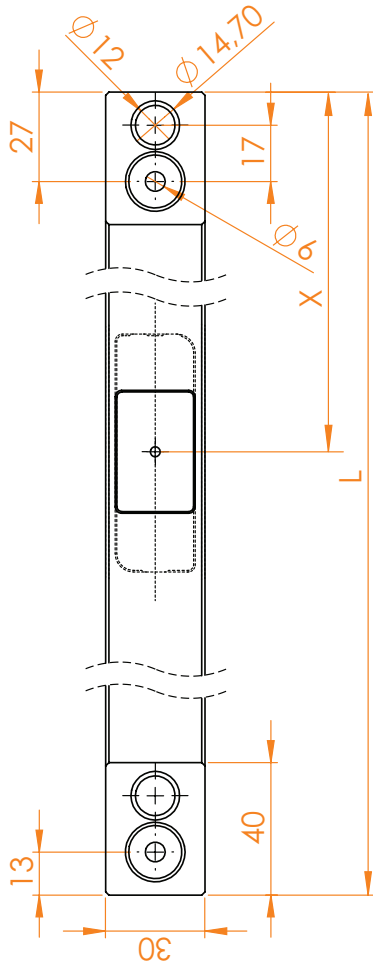
Design

Shape	QE		QM			
Holder	90°		90°		45°	
Reader position	front	back	front	back	front	back
PHOTO						
Color	inox or black		inox or black			
Dimensions	30 × 30		30 × 30			

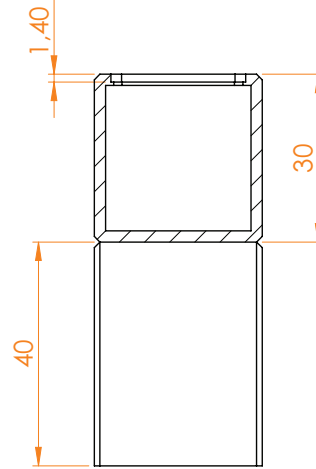
Shape	TM				R			
Holder	90°		45°		90°		45°	
Reader position	front	back	front	back	front	back	front	back
PHOTO								
Color	inox or black				inox or black			
Dimensions	40 × 20				Ø 34			

*All measurements are in mm.

*All measurements allow a tolerance of +/- 0,1 mm.

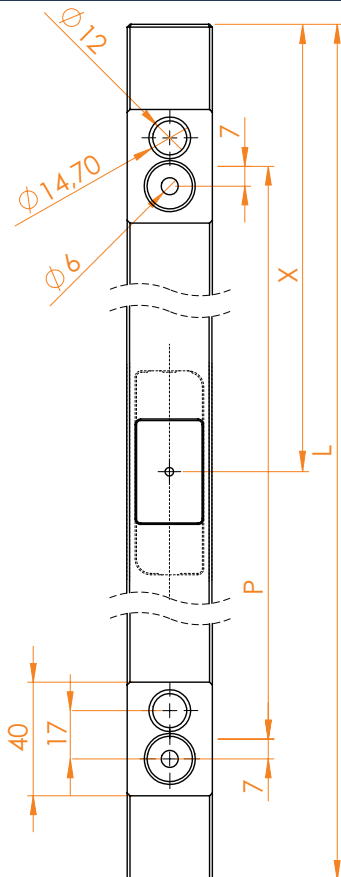


90° attachment

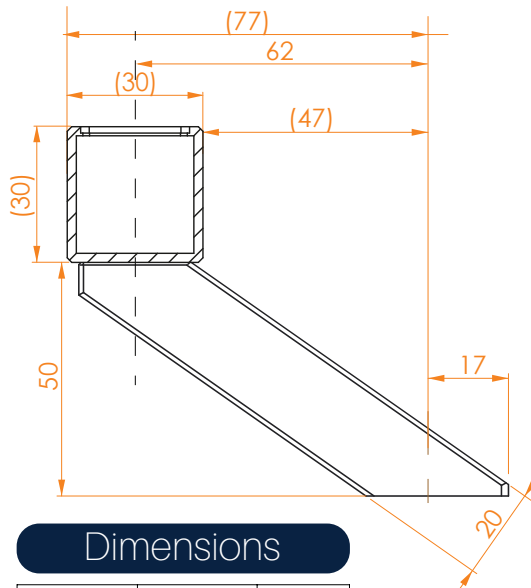


Dimensions

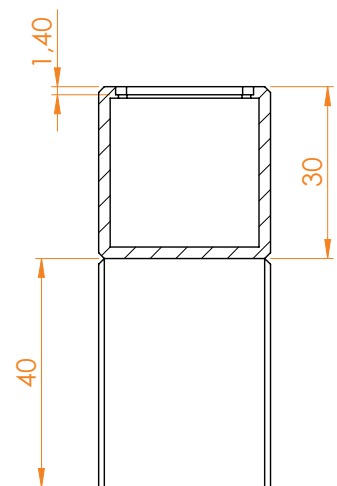
L	P	X
600	400	200
800	600	200
1000	800	240
1500	1100	440
1800	1400	540



45° attachment



90° attachment



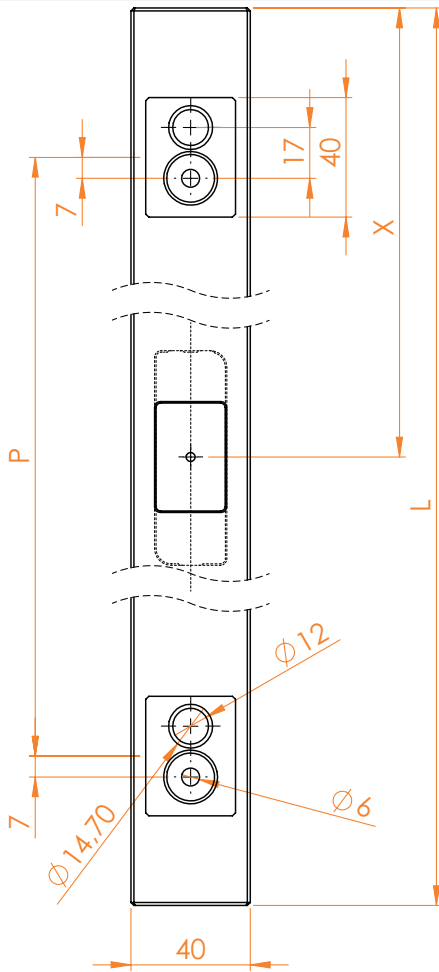
Dimensions

L	P	X
600	400	200
800	600	200
1000	800	240
1500	1100	440
1800	1400	540

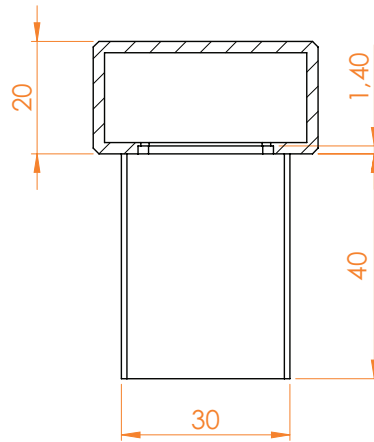
*All measurements are in mm.

*All measurements allow a tolerance of +/- 0,1 mm.

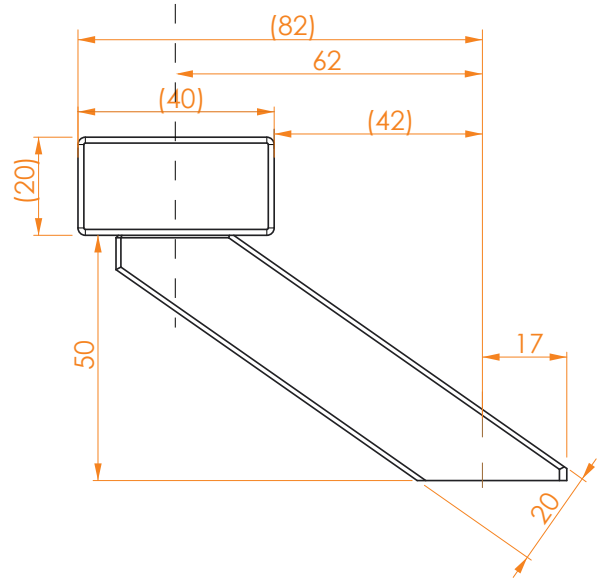
TM



90° attachment



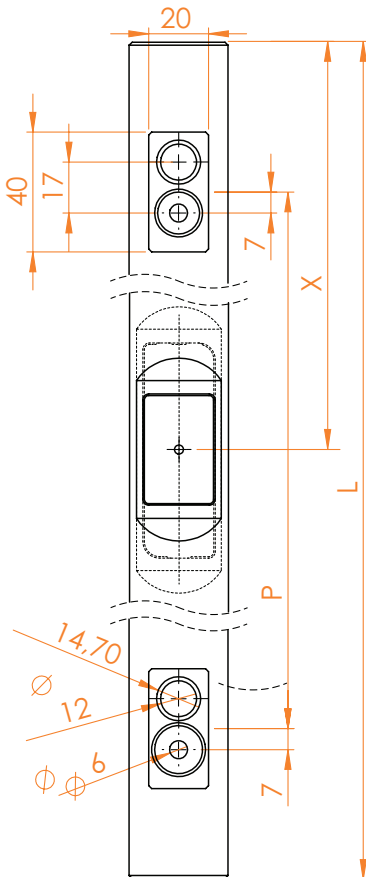
45° attachment



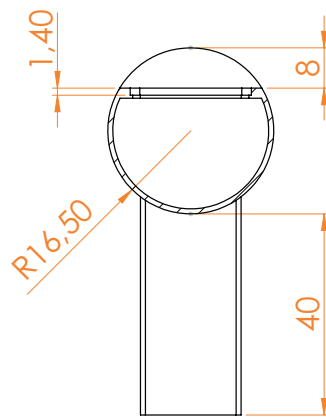
Dimensions

L	P	X
600	400	200
800	600	200
1000	800	240
1500	1100	440
1800	1400	540

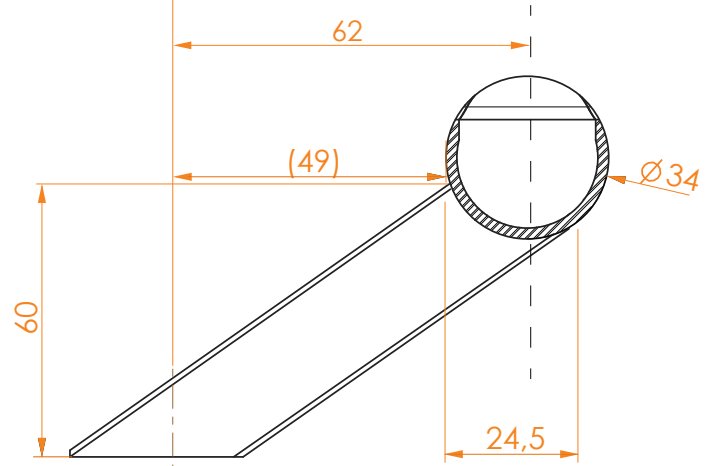
R



90° attachment



45° attachment



Dimensions

L	P	X
600	400	200
800	600	200
1000	800	240
1500	1100	440
1800	1400	540

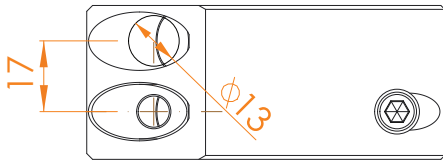
*All measurements are in mm.

*All measurements allow a tolerance of +/- 0,1 mm.

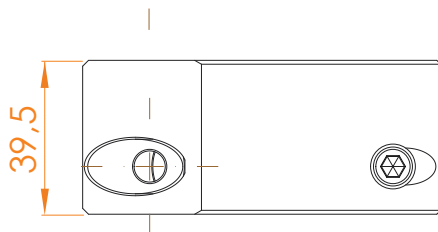
Attachment of QE, QM and TM handles

45° attachment

with a cable passage

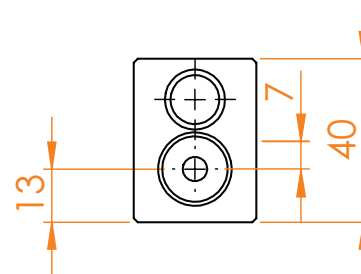
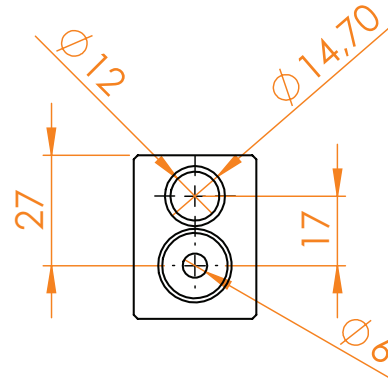


without a cable passage



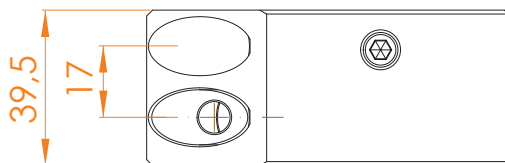
90° attachment

with a cable passage



Attachment of R handles

45° attachment



90° attachment

