





## SET-UP and INSTALLATION OF THE SYSTEM:

- 1 Plug the cables in the control unit. Cables are color marked and should be inserted in the sockets with corresponding colors on the control unit.

 RED	MOTOR LOCK - RELAY 1
 YELLOW	READER
 WHITE	LED
 BLUE	CABLE TRANSFER

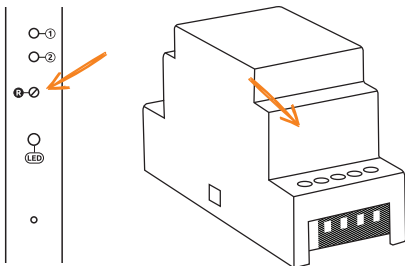
- 2 - Control unit should be mounted on the door profile with the help of two screws (when installing a control unit for the door leaf).  
- A DIN control unit should be mounted on the DIN rail in a fuse box.

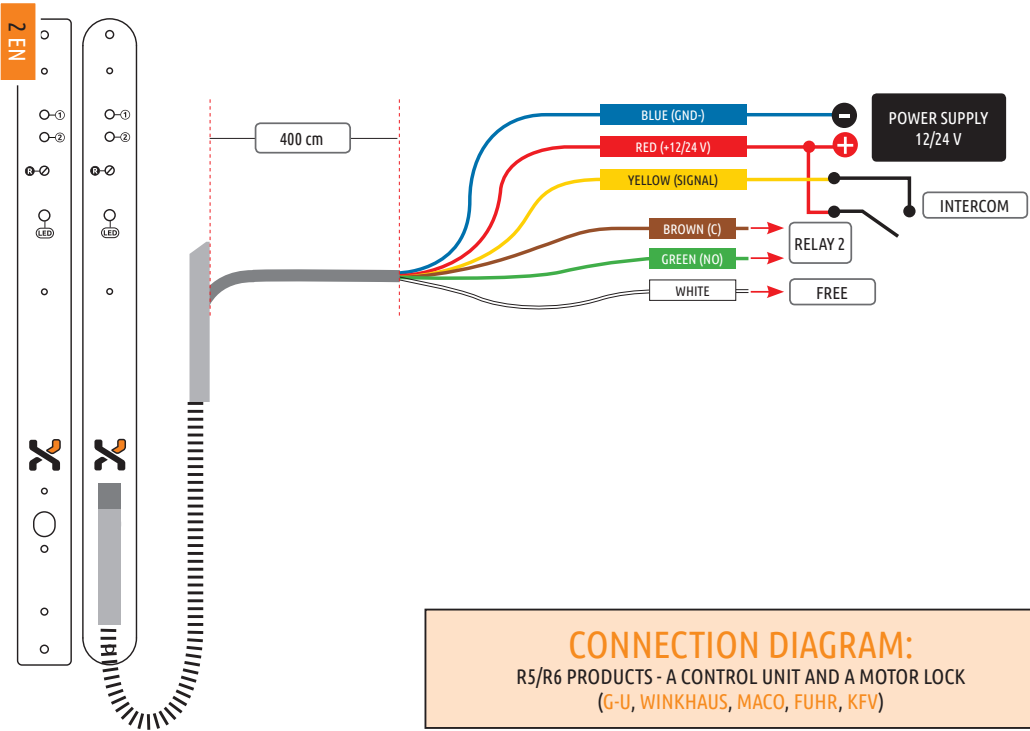
- 3 Plug in 12 or 24V power supply.



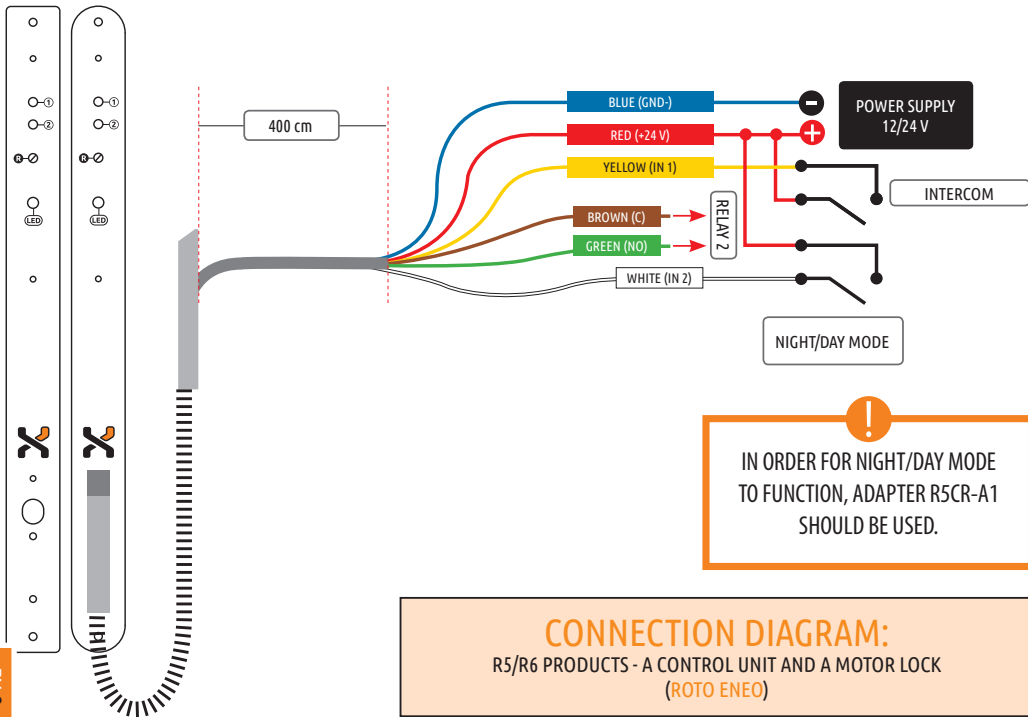
- 4 A reader and the control unit should be paired by pressing **R** button on the control unit for approximately 2 seconds. A beep indicates that the units have been paired successfully.

To access the **R** button on the control unit in the door leaf, the security bolt over the button should be unscrewed first.



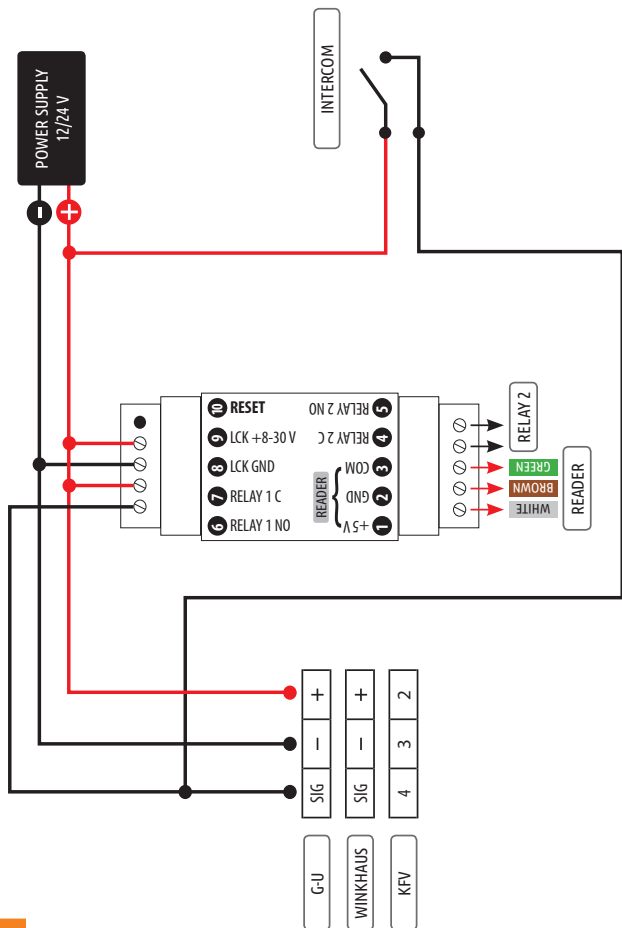


**CONNECTION DIAGRAM:**  
 R5/R6 PRODUCTS - A CONTROL UNIT AND A MOTOR LOCK  
 (G-U, WINKHAUS, MACO, FUHR, KFV)



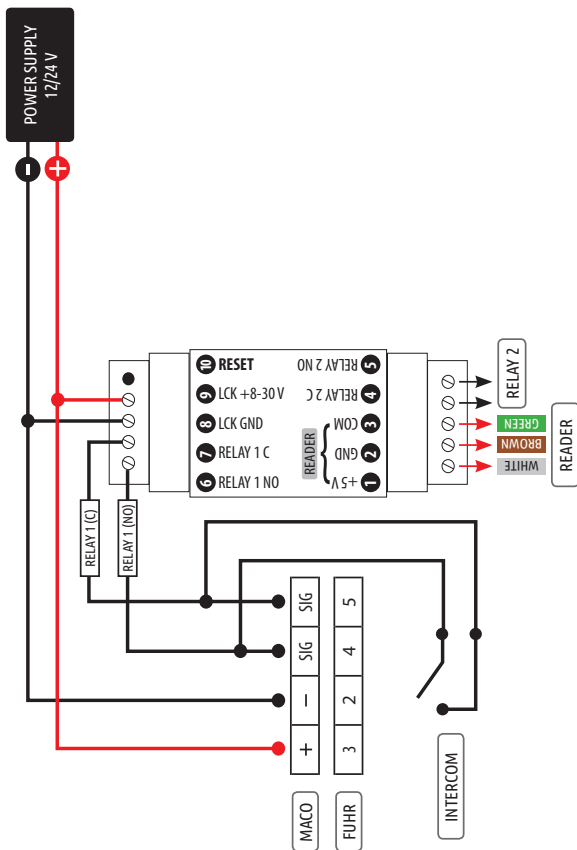
# CONNECTION DIAGRAM:

R5/R6 PRODUCTS - DIN CONTROL UNIT AND A MOTOR LOCK  
(G-U, WINKHAUS, KFV)



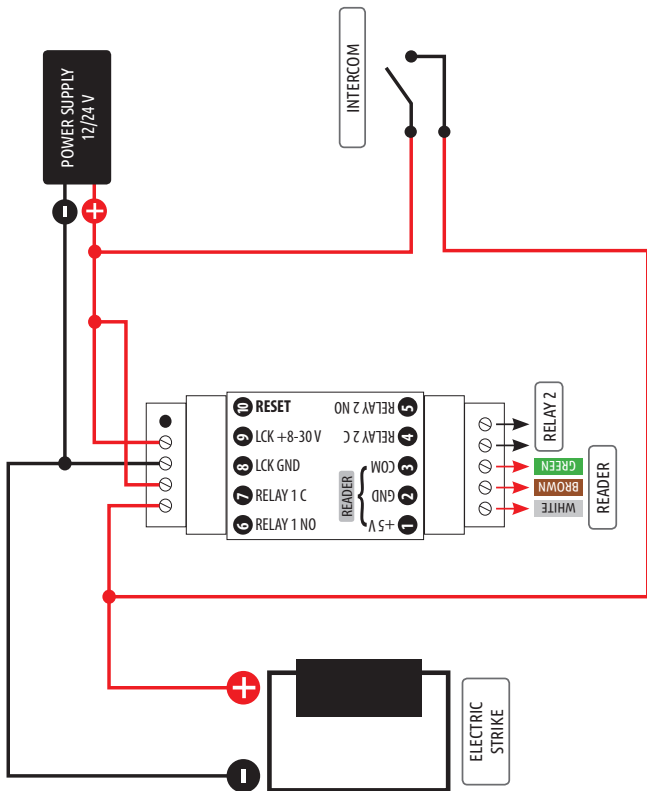
# CONNECTION DIAGRAM:

R5/R6 PRODUCTS - DIN CONTROL UNIT AND A MOTOR LOCK  
(MACO, FUHR)



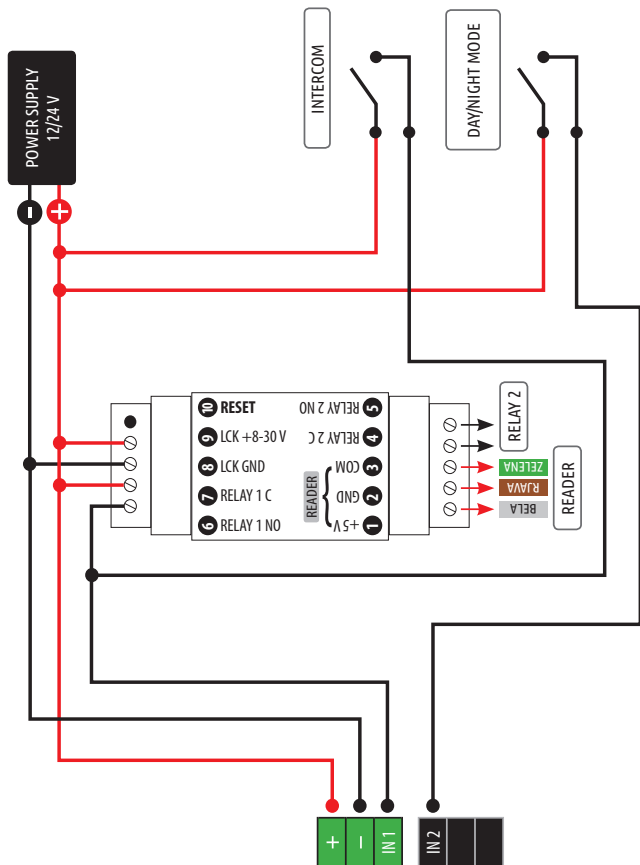
# CONNECTION DIAGRAM:

R5/R6 PRODUCTS - DIN CONTROL UNIT AND ELECTRIC STRIKE

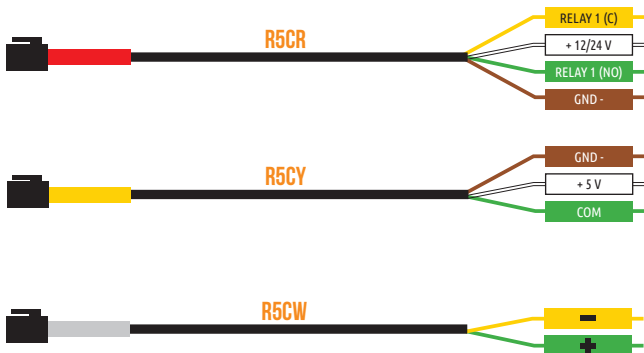


# CONNECTION DIAGRAM:

R5/R6 PRODUCTS - DIN CONTROL UNIT AND A MOTOR LOCK  
(ROTO ENEO)



## R5 CABLES: OUTPUT COLORS



## CONNECTION DIAGRAM:

FOR R5CU-201 (A CABLE TRANSFER HAS NOT BEEN PROVIDED BY NAVKOM D.O.O.)

**CONNECTION DIAGRAM HAS TO BE PROVIDED BY THE DOOR MANUFACTURER!**

FUNCTION	COLOR
GND-	
+12/24 V	
SIGNAL	
RELAY 2	
RELAY 2	

stamp and signature  
of the manufacturer